

TEXT KEEP OUT AREA

10.16

2.50

2.50

122.06

KEYLINE

Ø 10.0  
TEXT KEEP  
OUT AREA

BARCODE  
LOCATION  
AREA

71.1

+0.50  
-2.00

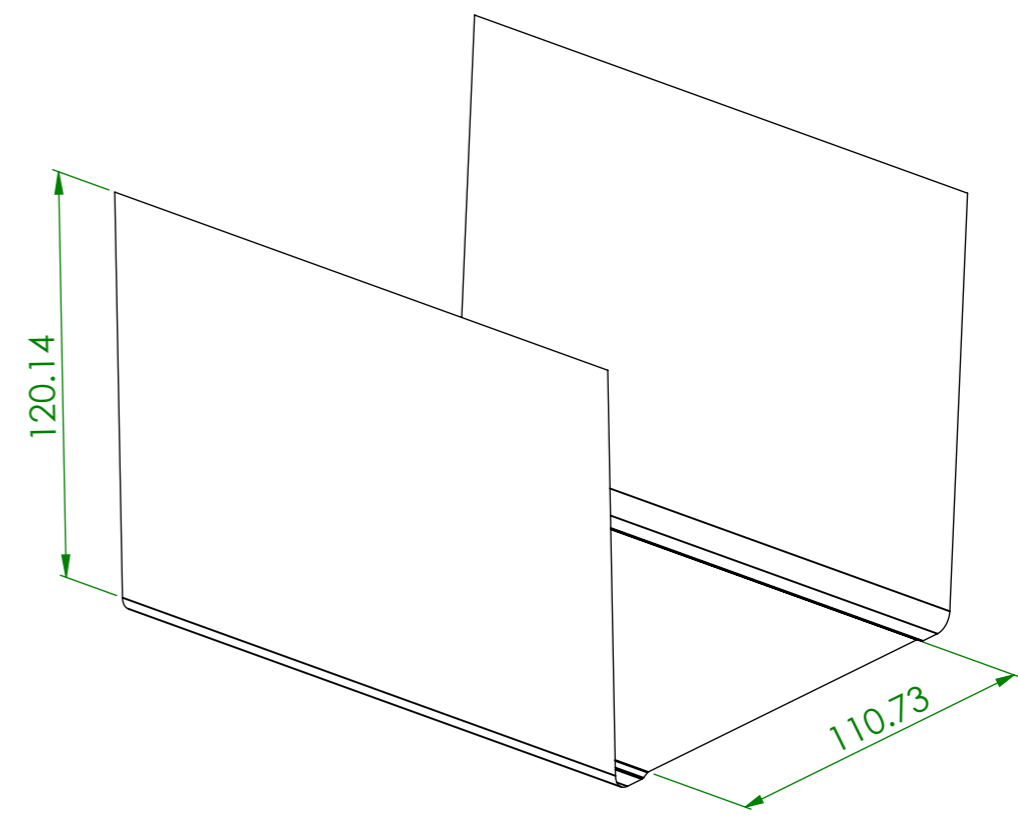
390.15

122.06

+0.5  
172.7  
-1.0

NOTES:

MATERIAL PP FILM THICKNESS 60µm, OTHER IML MATERIAL UPON APPROVAL.  
 FINISH TEXTURE ORANGE PEEL  
 COLOUR CYMK FOOD SAFE  
 STANDARD LACQUER FOOD SAFE.  
 ARTWORK AS PER ORDER  
 GRAPHICS DEFINED WITH ARTWORK SUPPLY WITH ORDER.



RoHS, WEEE & REACH COMPLIANT		<b>Material:</b> PP EUP 60µm	
<b>Date:</b> 2016JAN12		<b>Finish:</b> SEE NOTES	
<b>Date:</b> 2016JAN12		<b>Project:</b> 15-0015-P	
		<b>Scale:</b> NOT TO SCALE	
		<b>Title:</b> IML TUB 4LTR SQ SEAL FS4000 390x172.7	
DRAWN IN FIRST ANGLE PROJECTION		<b>Sheet Size:</b> A3	<b>ECO:</b> 16-081
		<b>Revision:</b> A	<b>Sheet:</b> 1 of 1